

# Thresher

CAMERA  
SERIES



## The 4k IP camera with onboard recording

### Features

- ▶ High resolution IP camera
- ▶ Up to 4k resolution at 30 fps
- ▶ Ultra-wide-angle, low-distortion lens
- ▶ 8x digital zoom
- ▶ HTTP API control
- ▶ Onvif profile S compliant
- ▶ Onboard recording and remote download
- ▶ Optional scaling lasers
- ▶ 1,000m rated

Technical specifications on reverse.

Arctic Rays specializes in deep-sea lighting and imaging systems and other custom solutions specifically for use on AUVs, ROVs, manned submersibles and other offshore and underwater structures.

**Think deep.**  
arcticrays.com • 1.321.610.4635



**ARCTIC RAYS**  
SUBSEA TECHNOLOGIES

# Thresher

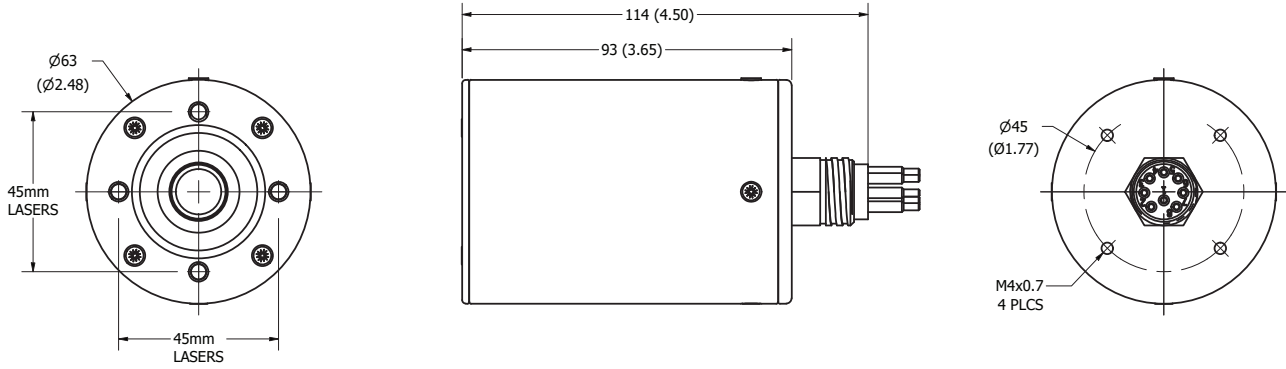
## Technical Specifications

PARAMETER	SPECIFICATION
Model Number	AR 208
<b>OPTICAL</b>	
Camera Sensor	Sony IMX226CQJ, 1/1.7" back-illuminated CMOS
Camera Lens	Flat port: 2.7 mm, f/2.8, low-distortion, wide-angle rectilinear (<2%TV) Dome port: 3.6 mm, f/2.8, rectilinear
Focus	Fixed, automatic
Exposure	Fixed iris; configurable auto/manual exposure and gain
Zoom	8x digital
SNR	54 dB
Supported Resolutions	4,000x3,000 (12 MP); 3,840x2,160 (4K); 1,920x1,080 (FHD); 1,280x720 (HD)
Max Frame Rates	30 fps (NTSC), 25 fps (PAL), 20 fps (12M); progressive scan
Angle of View in Water	Flat port: 77°D, 73°H, 53°V; Dome port: 97°D, 89°H, 58°V
Minimum Illumination	0.01 lux (color)
Scaling Lasers	Optional on flat-port models only: two or four 520 nm green dot lasers, parallel 45 mm spacing; one can also be configured as a crossing laser for distance measurement
<b>INTERFACE</b>	
Connector	Subconn MCBH8M
Video Outputs	Ethernet IP streaming and simultaneous, zero-latency standard definition (SD) composite video (CVBS)
IP Network	10/100 Base-T ethernet
IP Video Latency	<200 ms (glass to glass)
CVBS Format	NTSC or PAL; user-configurable
Supported Protocols	TCP/IP, UDP/IP, IPv4/6, RTSP, RTP, RTCP, HTTP, HTTPS, FTP, DHCP, ARP, ONVIF Profile S, Bonjour, Zeroconf, UpnP, built-in configuration webpage
Onboard Recording	MPEG4 (H.264, H.265), MJPEG
Onboard Storage	128GB microSD card; remote file download via FTP
Remote Control	Ethernet via HTTP API; other interfaces optional
<b>ELECTRICAL</b>	
Voltage	9–36 VDC standard; 18–75 VDC optional
Power	4–6W, depending on settings; add 2 W for lasers
<b>MECHANICAL</b>	
Weight	Flat port with lasers: 470 g in air; 170 g in seawater Dome port: 480 g in air; 180 g in seawater
Materials	6061-T6 aluminum housing (AHC black) with Delrin bezel; acrylic (flat) or BK7 glass (dome) viewport; other materials optional
<b>ENVIRONMENTAL</b>	
Depth Rating	1,000 m (3,300 ft) standard; other depths optional
Temperatures	0°C to 45°C operating; -10°C to 60°C storage

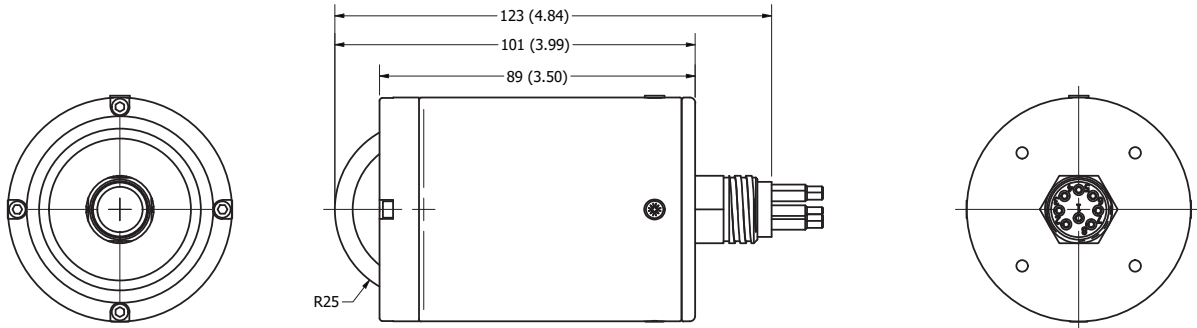
# Thresher

## Mechanical Drawings

### FLAT PORT



### DOME PORT



### PENETRATOR, FLAT PORT

