



Anglerfish

Miniature LED Flasher



FEATURES

- ▶ Self-contained 380 lumen LED
- ▶ Visible up to 5nmi to aid in vehicle recovery
- ▶ Built-in daylight sensor
- ▶ Double burst every two seconds standard (other flash rates optional)
- ▶ 1,000m-rated
- ▶ Easily mounts to masts
- ▶ Connects to power and control via a standard three-pin connector or threaded boss

Technical specifications on reverse

Expertly designed underwater
lighting and imaging equipment

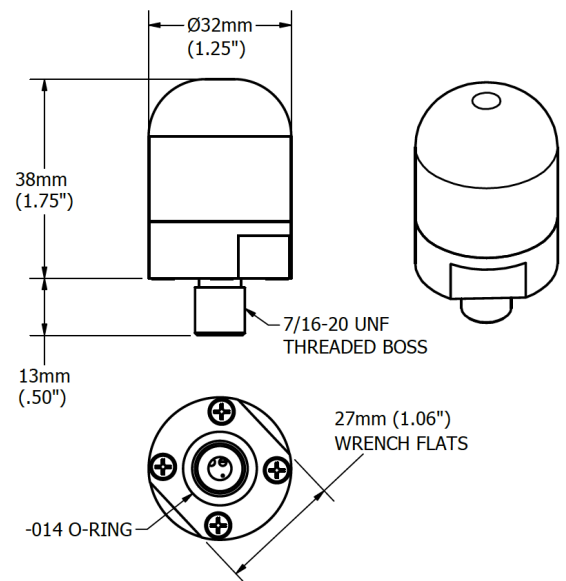
arcticrays.com
info@arcticrays.com • 567-343-2374

Technical Specs

Anglerfish

| PARAMETER | ANGLERFISH |
|--------------------|--|
| Model Number | ARI02 |
| Depth Rating | 1,000m (3,300ft) |
| Visible Range | 3–5nmi |
| Beam Angle | 360° |
| Flash Rate | Double burst every two sec. (Std) |
| Output Lumens | 380Lm |
| Input Voltage | 5–40VDC |
| Power Draw | .55W @ 24VDC |
| Current Draw @ 24V | 23mA Avg, 228mA Max |
| Weight in Air | 41g |
| Weight Sea Water | 30g |
| Window Material | Acrylic |
| Housing Material | Delrin |
| Operating Temp. | -10°C to 40°C |
| Connector Type | MCBH3M or threaded boss to fit standard MCBH 7/16–20 hole |
| Connector Pinout | 1: GND (BLK) 2: +V (YEL) 3: Disable—active low (WHT) |

Threaded Boss Option



Underwater Connector Option

