



arctic rays

REMORA STROBE

Compact LED Imaging Strobe for AUVs

FEATURES

- ▶ Optimized for AUV still imaging applications
- ▶ High-output **30,000 lumen** strobe with patented driver technology
- ▶ Designed for OceanServer Iver3 AUVs. Can be customized for other vehicles.
- ▶ Extremely compact package with integral power-efficient driver electronics
- ▶ 300m depth rating
- ▶ Wide-angle even light distribution
- ▶ Simple trigger-controlled pulse length
- ▶ Fast repetition rate
- ▶ Durable anodized Aluminum housing
- ▶ Wide input voltage supply
- ▶ Integral Iver penetrator plug or optional bulkhead connector
- ▶ OEM electronics option available
- ▶ Pulse dynamics and color temperature can be customized. Contact us for options.

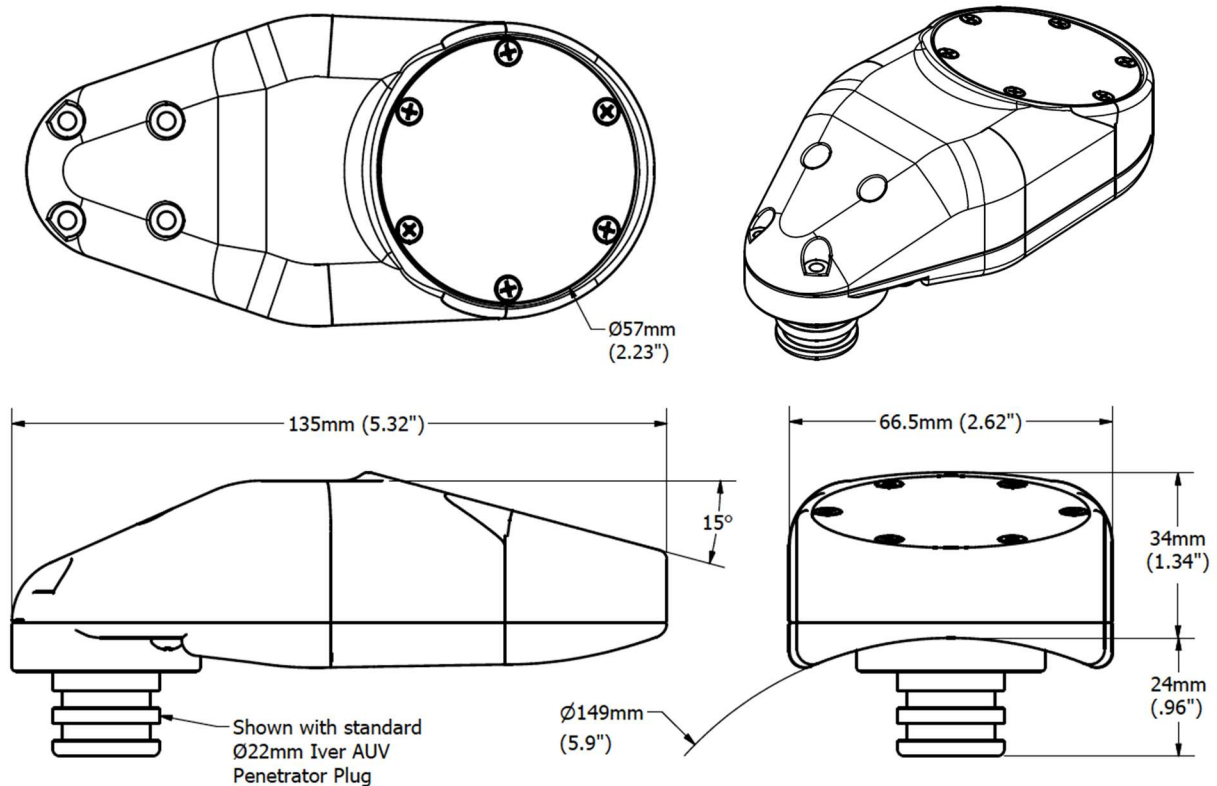
Patented driver delivers increased lumen output with less power draw in the smallest package for AUVs.



Photo courtesy L3 Technologies

US Patent #10054287

PARAMETER	REMORA S300
Model Number	AR106-S300
Depth Rating	300m (985ft)
Input Voltage	9 – 32VDC
Max Input Current @28V DC	550mA
Strobe/Quench Signal Input	5V TTL (active low)
Max Strobe Pulse Duration	100us-5ms
Max Pulse Repetition Rate	10Hz-2Hz
Output Lumens (5ms Pulse)	30,000 lm
Color Temperature (CCT)	2700K – 6500K
Color Rendering Index (CRI)	70 min (optional 80 min)
Beam Pattern (FWHM)	100°
Window Material	Cast Acrylic
Housing Material	Aluminum, 6061-T6, Black AHC
Size	135mm (L) x 66.5mm (W) x 34mm (H)
Weight	390g (air), 200g (sw)
Operating Temp.	-10°C – 40°C
Wiring Pinout (Iver3 penetrator plug with wire leads, standard. MCBH4M connector, optional)	1(BRN): GND 2(RED): +V 3(YEL): Strobe (5V TTL, active low) 4(BLU): Quench (5V TTL, active low)



US Patent #10054287