



arctic rays

DRAGONFISH TORCH

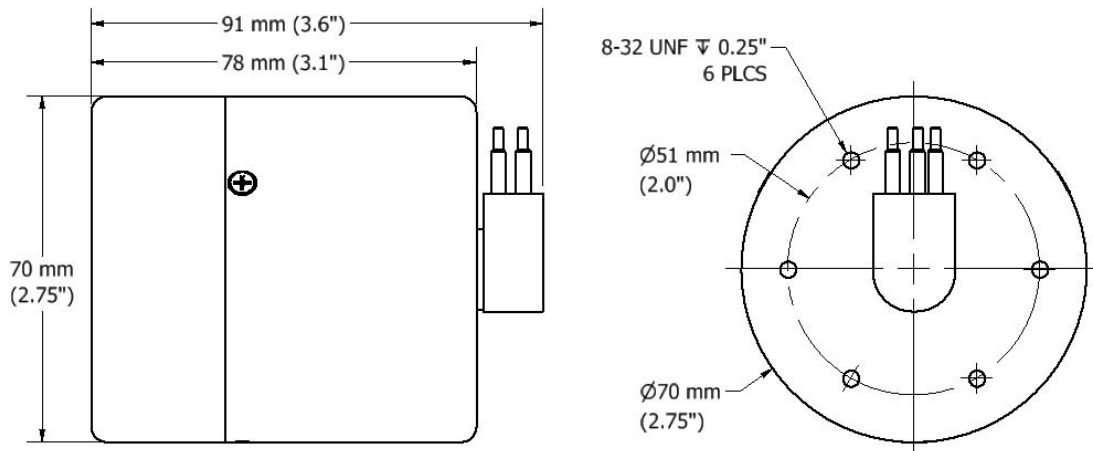
Compact Ultra-Bright LED Light

FEATURES

- High output **10,000 lumen** continuous, dimmable torch light for professional HOV/ROV/AUV imaging applications.
- Extremely compact package, with integral driver electronics.
- 1000m or 6000m-rated versions
- Wide-angle or narrow-beam option
- 24VDC supply (standard). **High-voltage DC & AC options available*
- Multi-drop RS232 (up to 250 soft-addresses), or analog dimming control
- User-settable PWM dimming frequency allows flicker-free operation for various video frame-rates
- Automatic thermal self-protection
- Durable hard-anodized 6061 Aluminum housing
- Various white temperatures and monochrome color options
- Straight or low-profile connector option
- Un-housed OEM electronics option available



| PARAMETER | DRAGONFISH T1K | DRAGONFISH T6K |
|--|---|---|
| Model Number | AR101-T1K | AR101-T6K |
| Depth Rating | 1,000m (3,300ft) | 6,000m (19,700ft) |
| Input Voltage | 12 – 38VDC | 12 – 38VDC |
| Max Power Draw | 105W | 105W |
| Dimming Control | RS232 or Analog 0-10Vdc | RS232 or Analog 0-10Vdc |
| Output Lumens | 10,000 lm (Vin > 20V) | 10,000 lm (Vin > 20V) |
| Color Temperature (CCT) | 2700K – 6500K | 2700K – 6500K |
| Color Rendering Index (CRI) | 70 min (optional 80 min) | 70 min (optional 80 min) |
| Static Color Options | Far Red (730nm) Red-orange (612nm) Blue (470nm) | Photo Red (660nm) Amber (590nm) Deep Blue (455nm) Red (625nm) Green (525nm) |
| Beam Angle (FWHM) | 100° | 100° |
| Beam Angle with Optional Lens | 65° | 65° |
| Window Material | Acrylic | Sapphire |
| Housing Material | Aluminum, 6061-T6, AHC Black | Aluminum, 6061-T6, AHC Black |
| Size | 78mm L x 70mm dia (flood) 84mm L x 70mm dia (narrow) | 78mm (L) x 70mm dia (flood) 84mm L x 70mm dia (narrow) |
| Weight | 600g (air), 318g (sw) | 700g (air), 420g (sw) |
| Operating Temp. | -10°C – 40°C | -10°C – 40°C |
| Standard Connector Pinout (Impulse LPMBH-4-MP) *MCBH-4-MP optional | RS232 1: GND 2: +V 3: RS232 RX (from host) 4: RS232 TX (to host) | Analog 1: GND 2: +V 3: Analog GND 4: Analog Dim (0-10Vdc) |



**Narrow beam increases length by 0.25" (6mm)*