



arctic rays

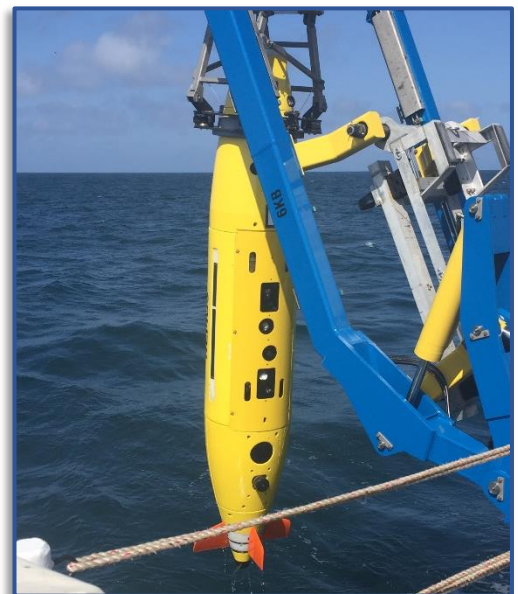
DRAGONFISH STROBE

Compact LED Strobe

FEATURES

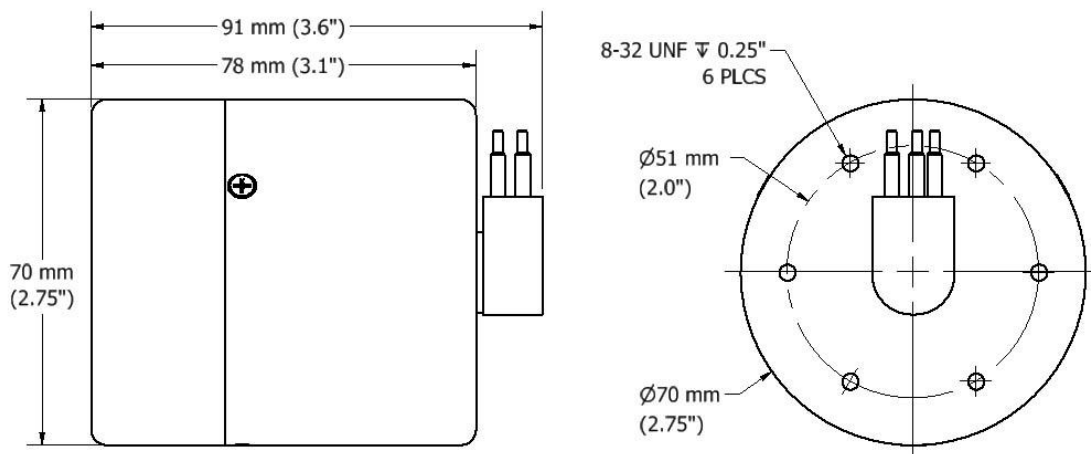
- High-output **30,000 lumen** strobe with patented driver technology
- Extremely compact package with integral driver electronics
- 1000m or 6000m-rated versions
- Wide-angle or narrow-beam option
- Ideal for AUV/ROV/HOV digital stills photography, or wherever a high-output, compact strobe is needed.
- Simple trigger-controlled pulse length
- Fast repetition-rate
- Independent secondary quench line
- Customizable color temperature
- Durable hard-anodized 6061 Aluminum housing
- Wide input supply
- Un-housed OEM electronics option available
- Pulse intensity, rep rate, max pulse duration, and color temperature can be customized. Contact us for options.

Patented driver delivers increased lumen output with less power draw in the smallest package.



US Patent #10054287

PARAMETER	DRAGONFISH S1K	DRAGONFISH S6K
Model Number	AR101-S1K	AR101-S6K
Depth Rating	1,000m (3,300ft)	6,000m (19,700ft)
Input Voltage	9 – 32VDC	9 – 32VDC
Max Input Current @28V DC	550mA	550mA
Strobe/Quench Signal Input	5V TTL (active low)	5V TTL (active low)
Max Pulse Duration	100us-5ms	100us-5ms
Max Pulse Repetition Rate	10Hz-2Hz	10Hz-2Hz
Output Lumens (5ms Pulse)	30,000 lm	30,000 lm
Color Temperature (CCT)	2700K – 6500K	2700K – 6500K
Color Rendering Index (CRI)	70 min (optional 80 min)	70 min (optional 80 min)
Beam Pattern (FWHM)	100°	100°
Beam Pattern with Optional Lens	65°	65°
Window Material	Acrylic	Sapphire
Housing Material	Aluminum, 6061-T6, Black AHC	Aluminum, 6061-T6, Black AHC
Size	78mm (L) x 70mm (dia)	78mm (L) x 70mm (dia)
Weight	600g (air), 318g (sw)	700g (air), 420g (sw)
Operating Temp.	-10°C – 40°C	-10°C – 40°C
Standard Connector Pinout (Impulse LPMBH-4-MP)	1: GND 2: +V 3: Strobe (5V TTL, active low) 4: Quench (5V TTL, active low)	1: GND 2: +V 3: Strobe (5V TTL, active low) 4: Quench (5V TTL, active low)



**Narrow beam increases length by 0.25" (6mm)*

US Patent #10054287