



arctic rays

## DRAGONFISH FUSION-6

## LED Panel Strobe

### FEATURES

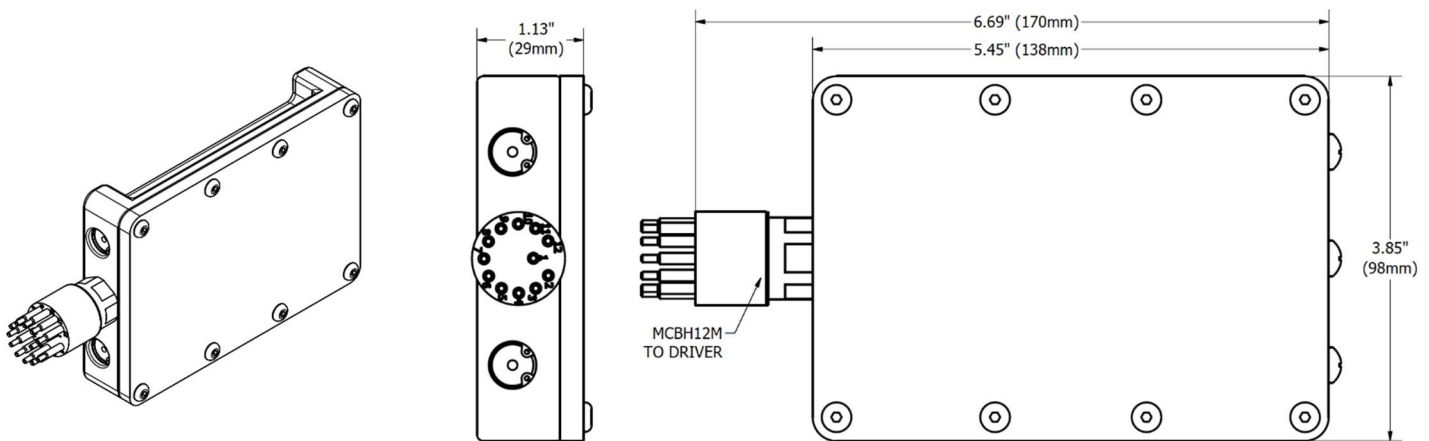
- Ultra-high output **180,000 lumen** strobe with patented driver technology
- 6000m-rated
- Ideal for AUV/ROV/HOV digital stills photography, or wherever a high-output, compact strobe is needed.
- Simple trigger-controlled pulse length
- Fast repetition-rate
- Independent secondary quench line
- Customizable color temperature
- Compact, low-profile, pressure-balanced, oil-filled emitter panel, on hard-anodized 6061 Aluminum backplate
- Separate driver electronics in an air-filled, hard-anodized 6061 Aluminum housing
- Wide input supply
- Driver electronics can be supplied as OEM stack, without housing.
- Pulse intensity, rep rate, max pulse duration, color temperature, and beam angles can be customized. Contact us for options.



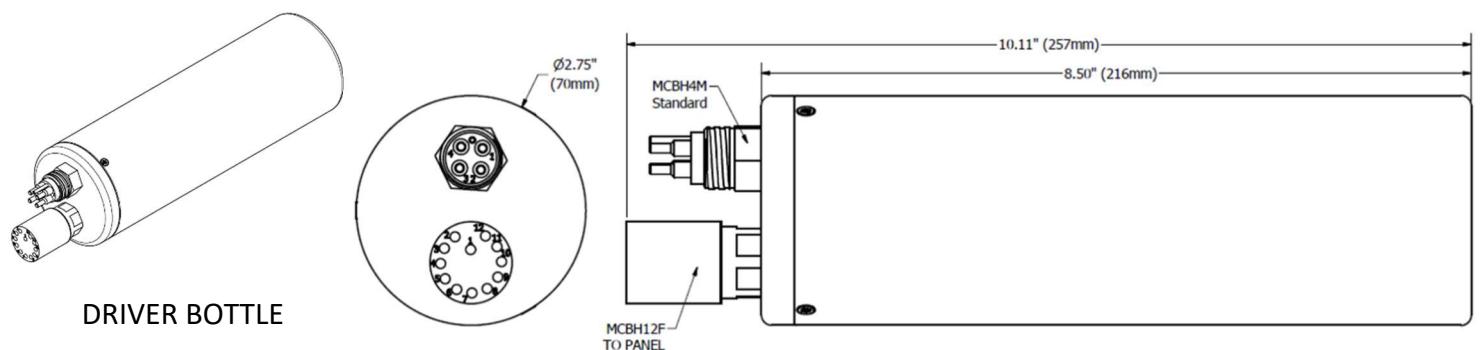
*Patented driver delivers highest lumen output in the industry.*

**US Patent #10054287**

PARAMETER	SPECIFICATION
Model Number	AR104-6
Depth Rating	6,000m (20,000ft)
Input Voltage	9 – 32VDC
Max Input Current @ 28Vdc	3.4A (during re-charge)
Strobe Trigger/Quench Signals	5V TTL (active low)
Pulse Duration	100us–5ms
Max Repetition Rate	10Hz-2Hz
Pulse Intensity	180,000 lm (standard)
Color Temperature (CCT)	2700 – 6500K
Color Rendering Index (CRI)	70 min (optional 80 min)
Beam Pattern (FWHM)	100°
Window Material	Acrylic
Housing Material	Aluminum, 6061-T6, Black AHC
Weight (in air)	Panel: 600g, Driver Bottle: 1.0kg
Weight (in seawater)	Panel: 400g, Driver Bottle: 400g
Operating Temperature	-10°C – 40°C
Standard Connector Pinout (Subconn MCBH4M)	1: GND 2: +V 3: Strobe (5V TTL, active low) 4: Quench (5V TTL, active low)



STROBE PANEL



DRIVER BOTTLE

**US Patent #10054287**