



arctic rays

DRAGONFISH II

Dual-Channel LED Torch Light

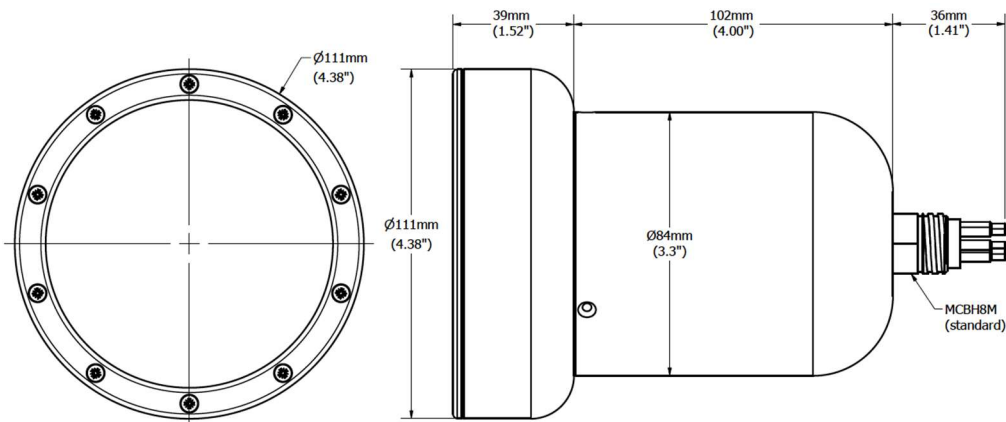
FEATURES

- Ultra-High output **30,000 lumen** continuous, dimmable torch light for professional HOV/ROV/AUV imaging applications.
- Dual-channel, independently-dimmable LED arrays allow white or color blending and independent bi-color operation.
- 6000m-rated
- High-efficiency integrated driver circuitry
- Multi-drop RS232 (up to 250 soft-addresses), or analog dimming control
- User-settable PWM dimming frequency allows flicker-free operation for various video frame-rates
- DC or AC input supply options
- Automatic thermal self-protection
- Durable hard-anodized 6061 Aluminum housing



PARAMETER	SPECIFICATION								
Model Number	AR105								
Depth Rating	6,000m (20,000ft)								
Input Voltage	200-420Vdc or 90-260Vac								
Max Input Power	300W								
Dimming Control	Multi-drop RS232 or Analog 0-10Vdc								
Max Intensity	30,000 lm (total combined from 2x independent channels)								
Color	2700K-6500K white, various static colors available								
Color Rendering Index (CRI)	70 min (optional 80 min)								
Beam Pattern (FWHM)	70° Flood (standard), 100° wide (optional)								
Window Material	Cast Acrylic								
Housing & Reflector Material	Aluminum, 6061-T6, AHC Black								
Weight (in air)	DC Version: 1.6kg (3.6 lbs) AC Version: 2.3kg (5.1lbs)								
Weight (in seawater)	DC Version: 0.7kg (1.5 lbs) AC Version: 1.0kg (2.2lbs)								
Operating Temperature	-10°C – 40°C								
Standard Connector Pinout (Subconn MCBH8M)	<table border="0"> <tr> <td>1: Neutral (AC) or GND (DC)</td> <td>5: RS232 RX</td> </tr> <tr> <td>2: Line (AC) or +Vdc (DC)</td> <td>6: RS232 TX</td> </tr> <tr> <td>3: Chassis</td> <td>7: Analog GND</td> </tr> <tr> <td>4: N/C</td> <td>8: Analog Dim IN</td> </tr> </table>	1: Neutral (AC) or GND (DC)	5: RS232 RX	2: Line (AC) or +Vdc (DC)	6: RS232 TX	3: Chassis	7: Analog GND	4: N/C	8: Analog Dim IN
1: Neutral (AC) or GND (DC)	5: RS232 RX								
2: Line (AC) or +Vdc (DC)	6: RS232 TX								
3: Chassis	7: Analog GND								
4: N/C	8: Analog Dim IN								

DC INPUT VERSION



AC INPUT VERSION

